

BENEFITS

High Efficiency

Industry leading panel efficiency of 16.9%

More Power

Delivers up to 50% more power per unit area than conventional solar panels

Reduces Installation Cost

More power per panel means fewer panels per install. This saves both time and money

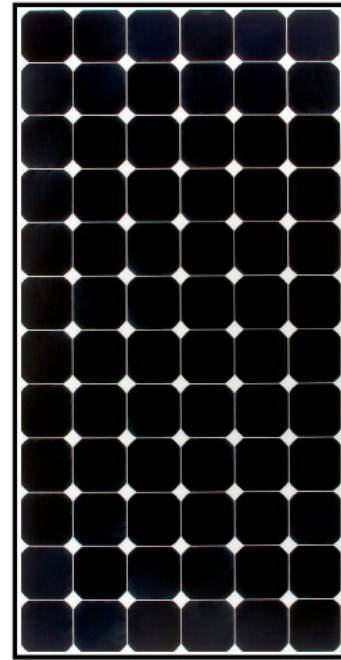
Reliable and Robust Design

Proven materials, tempered front glass, and a sturdy anodized frame allow panel to operate reliably in multiple mounting configurations



210 SOLAR PANEL

EXCEPTIONAL EFFICIENCY AND PERFORMANCE



The SunPower 210 Solar Panel provides industry leading efficiency and performance. Utilizing 72 next generation SunPower all-back contact solar cells and an optimized panel design, the SunPower 210 delivers an unprecedented total panel conversion efficiency of 16.9%. The 210 panel's reduced voltage-temperature coefficient and exceptional low-light performance attributes provide far higher energy delivery per peak power than conventional panels.

SunPower's High Efficiency Advantage - up to 50% More Power

| Comparable systems covering 25 m ² / 270 ft ² | | |
|---|--------------|----------|
| | Conventional | SunPower |
| Watts / Panel | 165 | 210 |
| Efficiency | 12.0% | 16.9% |
| kWs | 3.0 | 4.2 |

Electrical Data

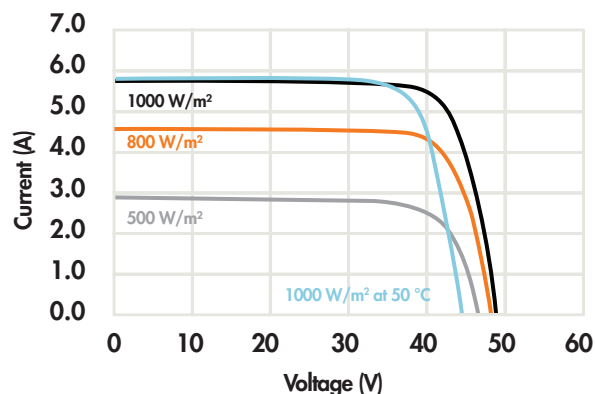
Measured at Standard Test Conditions (STC): irradiance of 1000 W/m², air mass 1.5g, and cell temperature 25 °C

| | | |
|--------------------------|----------------------------|---|
| Peak Power (+/-5%) | P _{max} | 210 W |
| Rated Voltage | V _{mp} | 40.0 V |
| Rated Current | I _{mp} | 5.25 A |
| Open Circuit Voltage | V _{oc} | 47.7 V |
| Short Circuit Current | I _{sc} | 5.75 A |
| Maximum System Voltage | IEC, UL | 1000 V, 600 V |
| Temperature Coefficients | | |
| | Power | -0.38% /°C |
| | Voltage (V _{oc}) | -132.5m V/°C |
| | Current (I _{sc}) | 3.5m A/°C |
| Series Fuse Rating | | 15 A |
| Peak Power per Unit Area | | 169 W/m ² , 15.7 W/ft ² |
| CEC PTC Rating | | 193.7 W |

Mechanical Data

| | |
|---------------|--|
| Solar Cells | 72 SunPower all-back contact monocrystalline |
| Front Glass | 3.2mm (1/8 in.) tempered |
| Junction Box | IP-65 rated with 3 bypass diodes |
| Output Cables | 900mm length / MultiContact connectors |
| Frame | Anodized aluminum alloy type 6063 |
| Weight | 15kg, 33lbs |

IV Curve



Current/voltage characteristics with dependence on irradiance and module-temperature.

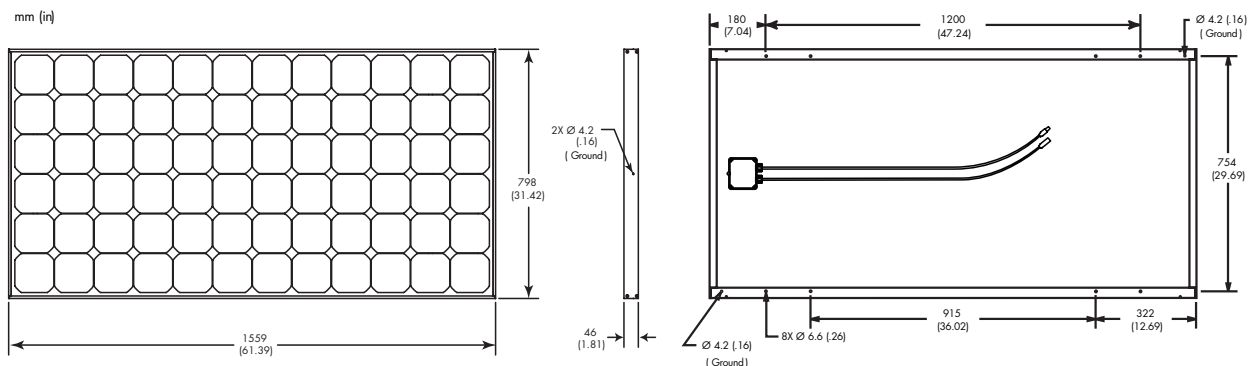
Tested Operating Conditions

| | |
|-------------------|--|
| Temperature | -40° C to +90° C (-40° F to +194° F) |
| Max load | 50 psf (2400 pascals) front and back |
| Impact Resistance | Hail -25 mm (1 in.) at 23 m/s (52 mph) |

Warranty and Certifications

| | |
|----------------|--|
| Warranty | 25 year limited power warranty 10 year limited product warranty |
| Certifications | IEC 61215 , Safety tested IEC 61730; UL listed (UL 1703), Class C Fire Rating |

Dimensions



CAUTION: READ SAFETY AND INSTALLATION INSTRUCTIONS BEFORE USING THE PRODUCT. Go to www.sunpowercorp.com/panels for details

About SunPower

SunPower designs, manufactures and delivers high-performance solar electric technology worldwide. Our high-efficiency solar cells generate up to 50 percent more power than conventional solar cells. Our high-performance solar panels, roof tiles and trackers deliver significantly more energy than competing systems.